

Concentrate On Manufacturing  
Beveling Machine

致力于坡口机械  
制造专家



**浙江威尼特机械科技有限公司**  
ZHEJIANG WELLNIT MECHANICAL TECHNOLOGY CO.,LTD.

地址：温州市经济技术开发区沙城街道安兴路601号  
Add: No.601, AnXing Road, Shacheng Street, Economic And  
Technological Development zone, Wenzhou, Zhejiang Pro. China  
电话：86-0577-8588 5616 8588 5617  
传真：86-0577-8588 5615  
邮箱：sales@wellnit.com sale2015@wellnit.com  
sale-a@wellnit.com yzj@wellnit.com  
网址：www.wellnit.com www.zjwellnit.com



官方微信公众号

**浙江威尼特机械科技有限公司**  
ZHEJIANG WELLNIT MECHANICAL TECHNOLOGY CO.,LTD.

WELLNIT

远见铸就价值  
创新成就飞跃

◀ vision cast value ▶  
innovate achievement leap



**Wellnit**  
**Mechanical**

Concentrate On Manufacturing Beveling Machine



# 企业简介

浙江威尼特机械科技有限公司坐落于浙江省温州市滨海经济技术开发区，是一家集研发、制造、销售和服务于一体的现代化高新技术企业。公司专业生产电动、气动、液压、数控及防爆坡口切割机械。经过多年的发展，公司以卓越的品质和完善的服务赢得了国内国际市场，深受用户的好评与信赖。公司十大系列数十种产品已远销欧美、中东、东南亚等60多个国家和地区，并通过了ISO-9001国际质量体系认证。

产品广泛应用于石油、电力、钢铁、化工、造船天然气、核工业、压力容器等行业的管道工程安装和检修，如西气东输工程等，并越来越多应用于设备抢修领域中，取得了明显的生产效益和经济效益。

公司始终坚持以市场需求为导向，以客户满意为目标，以开拓创新为动力，以诚实守信为原则，以质优价廉为追求！公司拥有一批经验丰富的高级管理、销售和开发人才，为企业的发展和壮大奠定了坚实的基础；先进的管理理念和完善的服务体系为企业注入了新的活力！



## Brief Introduction

Zhejiang Wellnit Mechanical Technology Co.,Ltd. is located in the Zhejiang Province Wenzhou Binhai Economic and Technological Development Zone, is a collection research and development, manufacturing, sales and service in one of the modern hightech enterprises. The company specializing in the production of electric, pneumatic, hydraulic, CNC and explosionproof groove cutting machine. After years of development, the company with excellent quality and perfect service to win the domestic and international market, by the user's praise and trust. Ten series of dozens of products have been exported to Europe and America, the Middle East, Southeast Asia, more than 60 countries and regions, and passed the ISO9001 international quality system certification.

Products are widely used in the industries of petroleum, electric power, iron and steel, chemicals, shipbuilding, natural gas, nuclear industry, pressure vessel and so on pipeline engineering installation and maintenance, such as the west to east gas pipeline, and more and more application in equipment repair in the field, made the production and economic benefits are obvious.

Companies always adhere to the market demand oriented, customer satisfaction as the goal, in order to develop innovation as the driving force, to be honest and trustworthy principle, to high quality and low price for the pursuit of! The company has a group of experienced senior management, sales and development of talent, has laid a solid foundation for the development of enterprises and growth; advanced management idea and perfect service system for enterprises injected new vitality!



# 资质证书

公司获得的资质和荣誉，是对企业过去取得成绩的肯定，也是对企业创造明日辉煌的鼓舞和鞭策！  
向新的台阶迈进，是团队的顽强拼搏，永不停歇的信念！



Qualification and honors acquired by the enterprises, over the past achievements of the enterprise must, but also on the enterprises to create brilliant tomorrows inspiration and encouragement!  
Toward a new step, Team is hard work, never stop the belief!



## 研发中心

坡口机行业为誉为行业信赖企业，公司在技术层面拥有高级工程4人，专业工程10多人。公司工程师在坡口机从研发、设计、工艺等方面拥有强大的技术实力，自主研发的多项高新技术型产品，能够自动化控制及跟据客户订制需求而制造。公司在创造核心技术同时，也不断在服务创新提供更多解决方案。

### R&D

The industry of beveling machine is known as trusted industry enterprises, the company has advanced engineering in the technical level of 4 people, more than 10 professional engineering. Company engineers in PFMs from R & D, design, technology and other aspects have strong fechnical strength, independent research and development of a number of high-tech products to automatic control and according to the customized demand. Companies to create core technology atthe same time, but also continue to provide more solutions inservice innovation.

创造独有的核心技术  
**Creating unique coer technology**





## 生产装备

企业一直坚持严格控制把关每一个环节、每一道工序，从设计研发到生产作业各个环节的质量状况。企业的检测系统流程均按照国际先进的行业标准要求，产品设计就纳入一套极其严谨、精确的程序之中，从设计、选材、制造、组装到运行，每个环节都要经历苛刻的检测程序，将精度控制到最严密，将产品品质控制到最优异，对每一细微之处的精益求精，深切感受到我们严谨务实的品质宗旨。



## Production equipment

Company has therefore insisted in the strict control on the quality state in every link and every procedure from design, development to the production, makes the process of the detecting system in accordance with world advanced industrial standard, sets up a set of very strict and precise procedures from the product design and has every link from design, material choice, manufacture, assembly to movement via a harsh detecting program so as to control the accuracy to the most precise and the quality to the most excellent and make every detail precisely improved and controlled to the most perfect to let the customer deeply feeling the strict and practical quality aim of company at the use.



## 仓库中心



十大系列，100多种产品，满足客户更高需求。

**10 series, more than 100 kinds of products to meet customer needs.**

公司专业生产电动、气动、液压、数控及防爆坡口切割机械。经过多年的发展，华凯以卓越的品质和完善的服务赢得了国内国际市场，深受用户的好评与信赖。

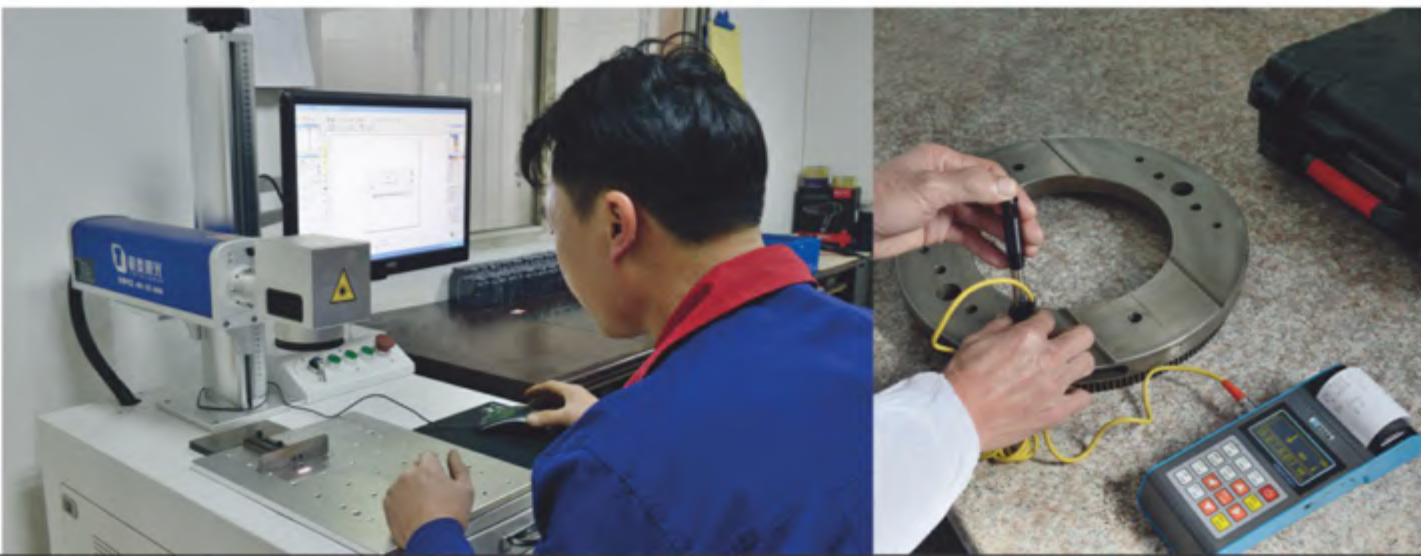
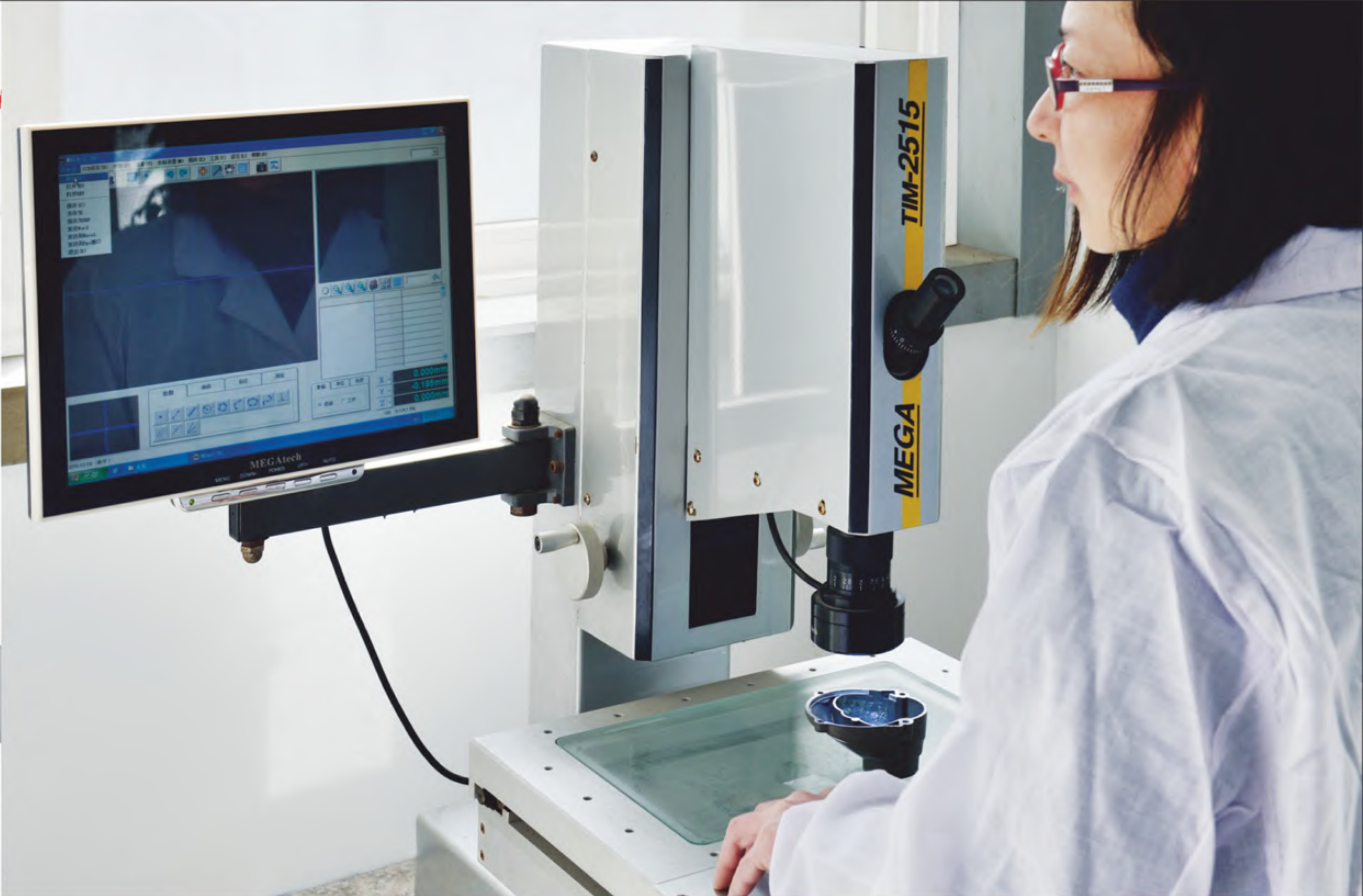
### Storage center

The company specializing in the production of electric, pneumatic, hydraulic, CNC and explosion-proof groove cutting machine. After years of development, China's excellent quality and perfect service to win the domestic and international market. by the user's praise and trust.



## 检测中心

为了提供高品质产品，公司配置了先进的检测设备以及完善的检测手段，建立了一支严格要求的品质管理队伍，实现了从原材料检测，生产过程检测，产品及应用全过程的质量控制

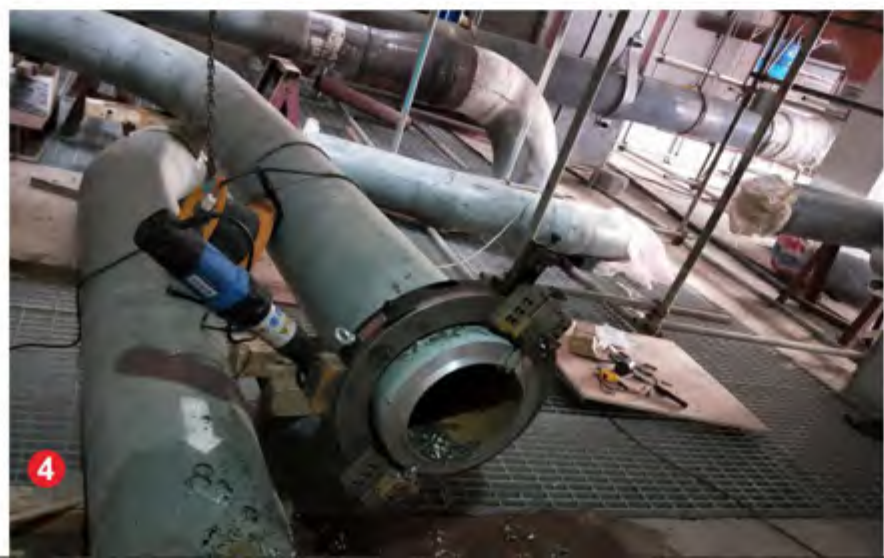


## Testing Center

The company has high precision CNC machine tools and processing center, advanced equipment, sophisticated technology and strict quality management system, and gathered with professional and technical elite and the leading level of scientific and technological team, make full use of new technologies, new processes, new materials to ensure the stability and reliability of the product.



# 工程案例



## 部分施工现场

- 南充高含硫施工现场
- 包头神华煤施工现场
- 中海基地 (OCH-914管线施工)
- 四川北内环 (OCE-813管线施工现场)
- 川气钻井高含硫现场
- 吐哈油田
- 相国寺天然气储备管道工程813管线
- 西气东输玉门段 (OCE-1230)
- 西气东输第五标段
- 中国核工业API1000H核岛主系统现场
- 罗家寨天然气净化厂





## OD-Mounted Cutting and Beveling machine

# Wellnit Mechanical

Concentrate On Manufacturing  
Beveling Machine

### 生产特点：

径向净空量小，重量轻，适用于环境复杂，空间小的场所；  
可对半分开，此结构适用于管子两端均有物件，不易拆卸或不能拆卸情况。  
一次装夹，可同时完成切割与坡口加工。  
本机除对碳钢、不锈钢、合金钢等材料管子的U、V型焊缝的坡口、倒棱、削边等加工外，并能对焊后的凸面法兰进行加工。坡口质量好，速度快，操作简单，切削量可选可调，坡口角度由0°-45°任意选择。

### 产品应用：

广泛应用于石油、化工、天然气、食品、锅炉、制药、核电、场管建设等行业管道安装工程及抢修作业。

### 驱动方式：

电动-OCE、气动-OCP、  
液压-OCH、数控-OCS

### 液压产品主要性能：

适用于壁厚大于25mm的厚壁管子批量切断和坡口。  
液压马达驱动，额定电压380V三相电额定压力10MPa流量25L/Min (可非标定制电压)  
Power Supply: 380V 3PH 50/60HZ 10MPa@25L/Min  
Powerful drive, High efficiency Stable Performance Low noise Adjustable speed  
Ideal for heavy wall & large size pipe  
(Non-standard voltage can be customized)

### FEATURES:

Lower axial and radial clearance, light weight suitable for working at narrow and complicated site  
Can separate to two half, it's easy for the pipe when two end not open.  
The machines do the cutting and beveling simultaneously  
The tool not only can process carbon steel, stainless steel and alloy pipe with U, V welding seam but also can process convex flange welded.

### APPLICATION RANGE:

They are widely used in the fields of petroleum, chemical, natural gas, power supply construction, boiler and nuclear power, such as the project of west gas transporting to east China.

### DRIVING TYPE:

Electric-OCE, Pneumatic-OCP, Hydraulic-OCH, Numerical Controller-OCS



液压OCH(Hydraulic)





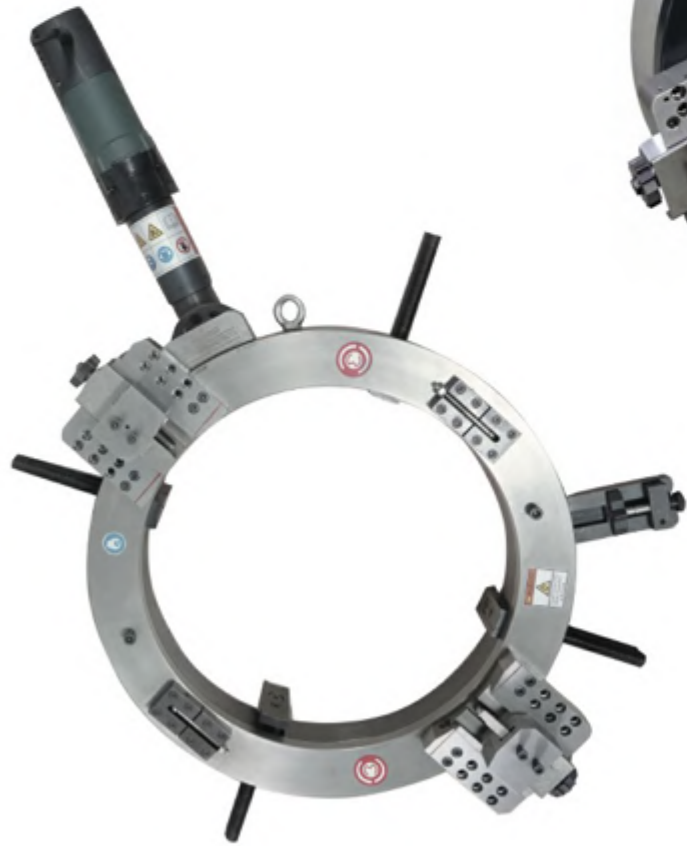
## 外钳式管子切割坡口机 OD-Mounted pipe Cutting and Beveling machine

### 电动产品主要性能

- 本机采用交流220V高性能电机为动力，电机频率为50HZ，允许电流6A，电机功率为1.5-2KW，本机为轻便型外部安装切割坡口机装置，具有操作简便，径向净量空小等特点。

### OD-Mounted Electric Series

- Power Supply: 220-240V 1PH50-60HZ
- Motor Power: 1.5-2KW



电动OCE(Electric)



铝合金机体/ Aluminum Alloy

## Wellnit Mechanical

Concentrate On Manufacturing  
Beveling Machinery



气动OCP(Pneumatic)



### 气动产品主要性能:

本机采用气马达驱动，需要空气工作压力0.8-1.0MPa气源，耗气量1000-2000L/min

Power Supply: 0.8-1.0MPa@1000-2000L/min  
Explosion Proof  
Stable Performance  
Simple structure makes easy to maintenance  
Occasionally overload won't bum

### 数控产品主要性能:

该机配备大功率伺服电机，性能稳定，噪音小，转速可调节。

输入电压：220V(可以另配380V/440V)  
输出扭矩：16Nm  
刀盘转速：0-30r/min  
电机功率：1.5-4KW  
频率：50-60HZ

SPECIFICATION:  
Power supply: 220V 1Ph 50HZ  
Output torque: 15Nm  
Power: 1.5-4KW

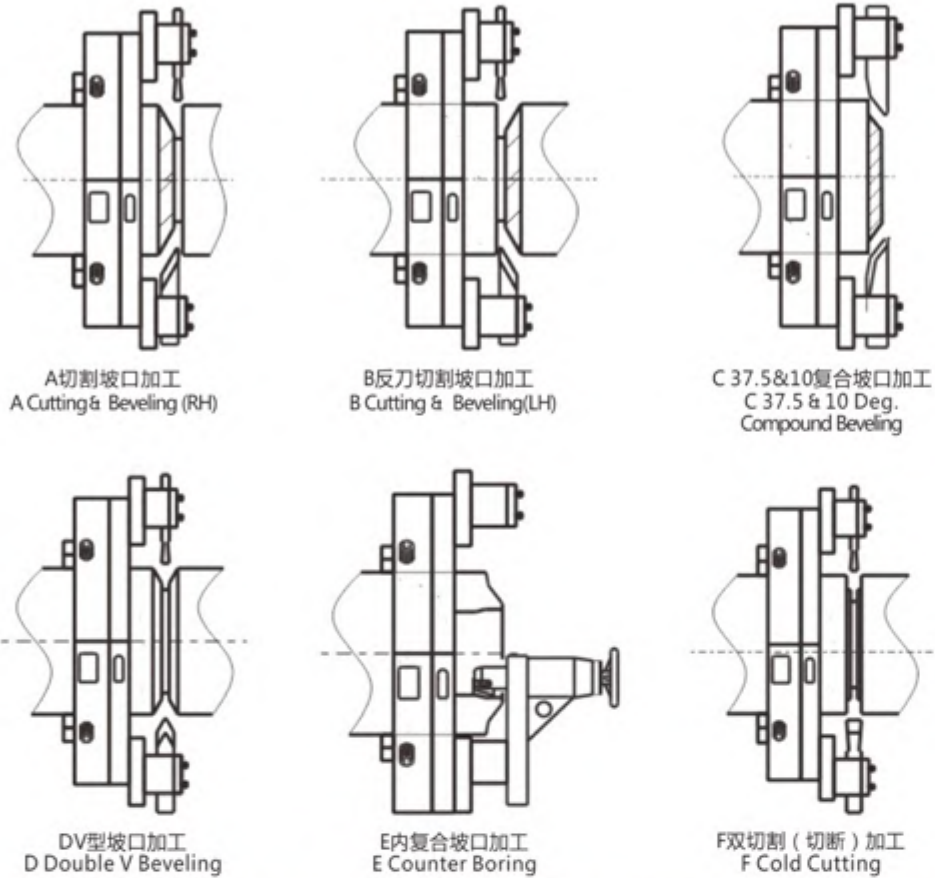


数控OCS(CNC)





## 加工示意图 Processing Drawing

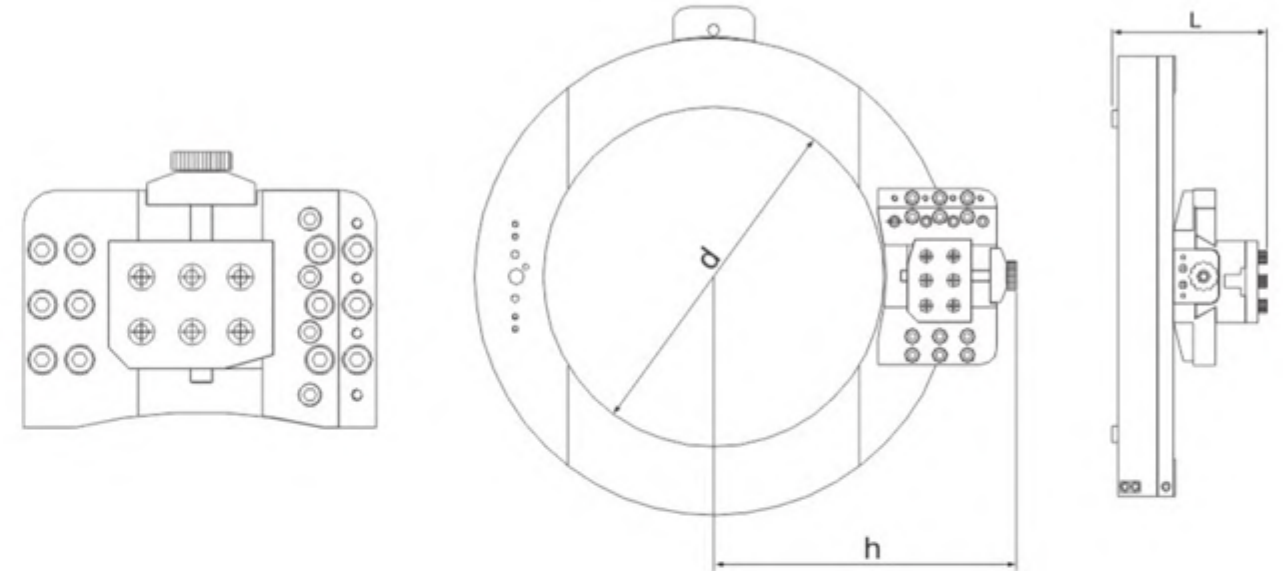


## 外钳式系列 Processing Schematic

型号 Model	规格 Spec.	加工范围Capacity(OD mm)		切割坡口壁厚Wall thickness		刀盘转速 Rotation Speed
		外径(mm)	OD (inch)	标准Standard	重载Heavy-duty	
	89	Φ25-89	1"-3"	≤30	-	42r/min
	159	Φ50-159	2"-5"	≤30	-	20r/min
	168	Φ50-168	2"-6"	≤30	-	18r/min
	230	Φ80-230	3"-8"	≤30	-	15r/min
	275	Φ125-275	5"-10"	≤30	-	14r/min
	305	Φ150-305	6"-10"	≤30	≤110	13r/min
电动 OCE	325	Φ168-325	6"-12"	≤30	≤110	13r/min
	377	Φ219-377	8"-14"	≤30	≤110	12r/min
气动 OCP	426	Φ273-426	10"-16"	≤30	≤110	12r/min
	457	Φ300-457	12"-18"	≤30	≤110	12r/min
液压 OCH	508	Φ355-508	14"-20"	≤30	≤110	12r/min
	560	Φ400-560	16"-22"	≤30	≤110	12r/min
数控 OCS	610	Φ457-610	18"-24"	≤30	≤110	11r/min
	630	Φ480-630	20"-24"	≤30	≤110	11r/min
麦太保 OCM	660	Φ508-660	20"-26"	≤30	≤110	11r/min
	715	Φ560-715	22"-28"	≤30	≤110	11r/min
	762	Φ600-762	24"-30"	≤30	≤110	11r/min
	830	Φ660-830	26"-32"	≤30	≤110	10r/min
	914	Φ762-914	30"-36"	≤30	≤110	10r/min
	1066	Φ914-1066	36"-42"	≤30	≤110	10r/min
	1230	Φ1066-1230	42"-48"	≤30	≤110	10r/min
	1430	Φ1230-1430	48"-56"	≤30	≤110	8r/min

注：非标产品可根据客户要求设计制造  
Note: Non-standard machines are available according to customers' requirement.

## 外钳式管子切割坡口机 OD-Mounted pipe Cutting and Beveling machine



## 轴向和径向净空量 图表 Axial & Radial Clearance

型号 Model	规格 Spec.	"d" DIM(mm)	"h" DIM(mm)	"L" DIM(mm)
	89	90	132	159
	159	160	217	171
	168	170	227	171
	230	232	253	171
	275	280	275	171
	305	308	290	171
	325	330	300	171
电动 OCE	377	380	328	171
	426	430	351	172
气动 OCP	457	460	367	172
	508	510	396	181
液压 OCH	560	560	420	182
	610	612	445	182
麦太保 OCM	630	632	454	182
	660	670	475	182
	715	715	495	185
	762	765	520	185
	830	830	555	187
	914	915	592	194
	1066	1070	619	194
	1230	1235	777	207
	1430	1438	877	220



# 坡口机桥型导轨 Bridge Tool Slide

## 产品主要性能：

本产品针对电厂、核工业等企业高温超高压厚壁合金管道的现场施工而设计，它的诸多设计以及模块化零配件设计使得它能高效、精确的完成大直径厚壁管道的复合坡口、丁型坡口、内孔坡口穿孔等各种坡口加工，并且能对端面法兰进行平口加工。

- 桥型导轨装配于电动、气动或者液压驱动管子坡口切割机上，进行坡口加工，每一款可适用于三种不同型号管子坡口切割机。
- 它采用高强度的设计，运用单点刀具及坡口模块，完成多样坡口加工。
- 坡口没有壁厚局限，材质包括：碳钢、合金钢、不锈钢以及其它各种金属材料。
- 进给系统：自动进刀，精确进给。
- 装配镗孔内坡模块，内坡模块可以调节角度进行坡口。
- 进给轮及涡轮蜗杆隐蔽设计，使得操作更安全，外形更美观。

The bridge tool slide accessory is used for faang, counterboring, inside beveling and beveling an open pipe end, especially for the heavy wall thickness pipe. The slide mounted onto one OD-Mounted machine and "bridge" the end of the pipe. The bridge tool slide uses a single point tool and is available with beveling templates for various form contours.

- Each size available for 3 model OD-Mounted machine
- Bevel, Compound beveling, Inside beveling, J-Prep, and counterbore
- No limit of wall thickness, material: Carbon steel, alloy steel, stainless steel or other pipe.
- Tool feed automatically
- Complete with counterbore/ID beveling tool, ID beveling angle available for adjust
- Feed wheel, worm wheel and worm covert designed, make operation more safe



## 数据参数 Data Parameter

Wellnit  
Mechanical

### • 坡口机桥型导轨 Processing Schematic

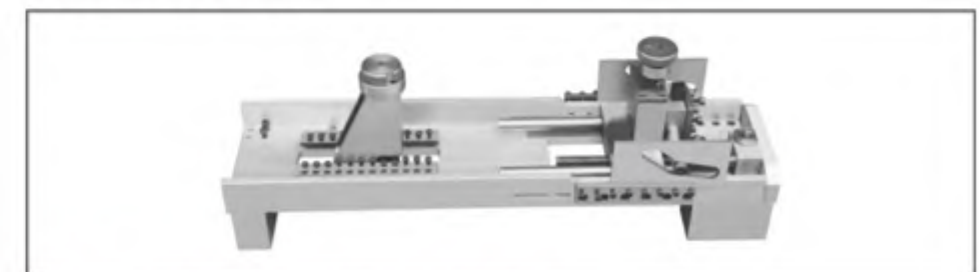
型号 Model	规格 Spec.	加工范围Capacity(OD mm)		切割坡口壁厚 Wall thickness	刀盘转速 Rotation Speed
		外径(mm)	OD (inch)		
电动 OCE	275	φ125-275	5"-10"	≤80	14r/min
	305	φ150-305	6"-10"	≤80	13r/min
	325	φ168-325	6"-12"	≤80	13r/min
	377	φ219-377	8"-14"	≤80	12r/min
	426	φ273-426	10"-16"	≤80	12r/min
气动 OCP	457	φ300-457	12"-18"	≤80	12r/min
	508	φ355-508	14"-20"	≤80	12r/min
	560	φ400-560	16"-22"	≤80	12r/min
液压 OCH	610	φ457-610	18"-24"	≤80	11r/min
	630	φ480-630	20"-24"	≤80	11r/min
	660	φ508-660	20"-26"	≤80	11r/min
数控 OCS	715	φ560-715	22"-28"	≤80	11r/min
	762	φ600-762	24"-30"	≤80	11r/min
	830	φ660-813	26"-32"	≤80	10r/min
	914	φ762-914	30"-36"	≤80	10r/min
	1066	φ914-1066	36"-42"	≤80	10r/min
	1230	φ1066-1230	42"-48"	≤80	10r/min
	1430	φ1230-1430	48"-56"	≤80	8r/min

### 更多选择，更实用 More Choices, More Practical



**浮动跟踪刀架：**  
Fluctuate tracing tool slide  
用于管径变形的椭圆管补偿  
To process and adjust according to pipe diameter, ellipse pipe

**重型刀架：**  
Heavy duty tool side  
用于加工管道壁厚≤110  
To process thickness≤110



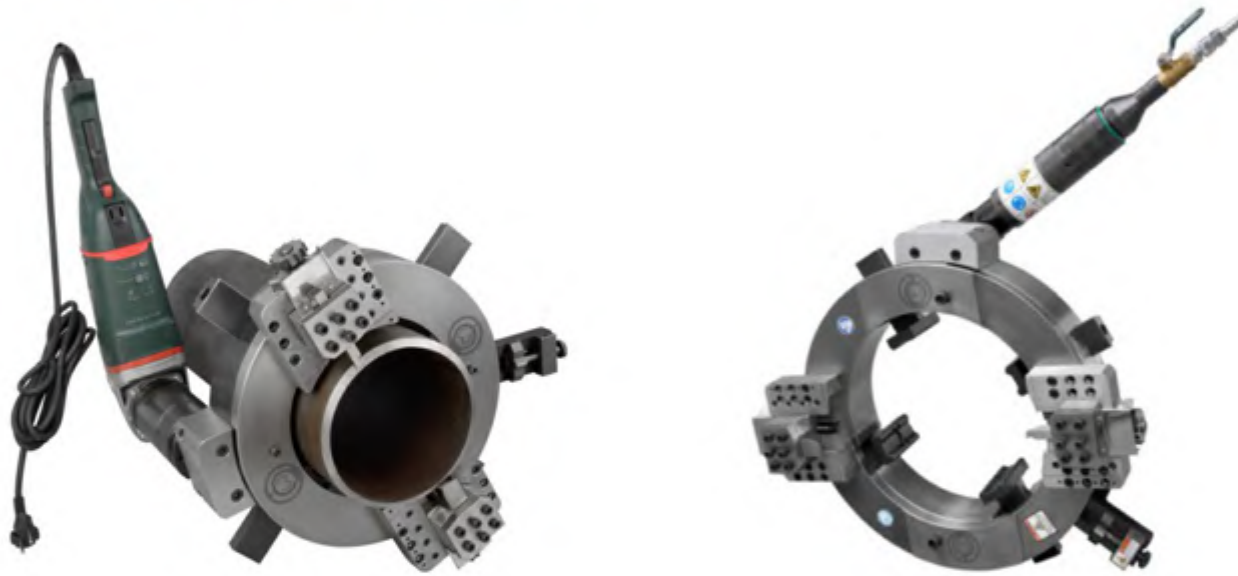
**桥型导轨：**适用于超厚管道的坡口加工及法兰面加工  
Bridge tool side: To process thick wall pipe and flange facing





数据参数  
Data Parameter

卡盘式自定心坡口机  
Chuck type self-centering  
Cutting and beveling machine



电动式/SOCE

气动式/SOCP

卡盘式自定心坡口机性能特征：

- 采用高强度高精度可分瓣圈体结构，适用于各类管材的切断和坡口加工，尤其是对大批量管材的切断、坡口加工。使用进口顶级品质的电机作为动力，噪音小、寿命长、重量轻、性能可靠，大范围调速，具有CE认证。其调速方式有2种：档位调速和电子无极调速，额定电压220V，频率50Hz。
- 自动定位管子中心，同心度和垂直度都无需人工调整，四爪同步高效装夹，是螺杆装夹精度和效率的10倍以上；
  - 新型的装夹机构，省去了更换胀紧垫块的麻烦；
  - 自动进刀，进给均匀，刀具的寿命更长；
  - 安装方便快速，操作简单，维护方便；
  - 切割和坡口一次性完成，加工效率高；
  - 完全冷加工，无火花，无热影响区；
  - 加工精度高，表面质量好；
  - 适应性强，可分瓣安装，可根据需要进行调速。

Chuck type(High-Efficiency)  
self-centering Cutting and beveling machine

Adopt high strength & precision split frame ring structure, apply for cut and bevel work for different pipe, especially for batch working of cutting and beveling, get the high efficiency. Various of driven options: pneumatic, electric or hydraulic.

- Self-centering, no need adjust the concentricity & perpendicularity manually. Four clamp install synchronously and high effect.
- New clamping type, save the step of replace expanding block.
- Adopt new synchronous feeding mechanism, feeding uniformity, tool bits has longer working life.
- Easy set-up, operation and maintain.
- Cutting & beveling finished at same time, high working effective.
- Cold working, no spark, won't make the material affected.
- Perfect working precision, no burrs
- Well-adapted, install split, you can make the speed adjust depend on the working conditions.

卡盘式系列  
Processing Schematic

型号 Model	规格 Spec.	加工范围Capacity(OD mm)		切割坡口壁厚 Wall thickness	刀盘转速 Rotation Speed
		外径(mm)	OD (inch)		
电动 SOCE	168	Φ50-168	2"-6"	≤30mm	18r/min(可调)
	230	Φ80-230	3"-8"	≤30mm	15r/min(可调)
	275	Φ125-275	5"-10"	≤30mm	14r/min(可调)
气动 SOCP	305	Φ150-305	6"-10"	≤30mm	13r/min(可调)
	325	Φ168-325	6"-12"	≤30mm	13r/min(可调)
液压 SOCH	377	Φ219-377	8"-14"	≤30mm	12r/min(可调)
	426	Φ273-426	10"-16"	≤30mm	12r/min(可调)
麦太保 SOCM	457	Φ300-457	12"-18"	≤30mm	12r/min(可调)
	508	Φ355-508	14"-20"	≤30mm	12r/min(可调)
	610	Φ457-610	18"-24"	≤30mm	12r/min(可调)

现场加工 ON-SITE PRDCESS







Internal expansion type  
pipe beveling machine



ISE-120

## Wellnit Mechanical

Concentrate On Manufacturing  
Beveling Machinery

### 生产特点：

- 本系列为内径安装式坡口机具有重量轻携带方便等特点。
- 安装容易，快速、胀紧机构插入管内径能自动定位对中心。
- 本机除对碳钢、不锈钢、合金钢等材料管子的U、V型焊缝的坡口、倒棱、削边等加工外，并能对焊后的凸面法兰进行加工。
- 坡口质量好，速度快，操作简单，切削量可微调，坡口角度由0°~45°任意选择。

### 产品应用：

广泛应用于石油、化工、天然气、食品、锅炉、制药、核电、场管建设等行业管道安装工程及抢修作业。

### 驱动方式：

电动-ISE、气动-ISP

### FEATURES：

- This series is ID-mounted pipe beveling machine with light weight, compact design.
- There are 12 art No. for option.
- Easy and quickly set-up self centered and squared to the bore.
- The tool not only can process carbon steel, stainless steel and alloy pipe with U, V welding seam but also can process convex flange welded.
- Fast precision, on-site beveling, the bevel angle by your required.
- This series available for electric and pneumatic driven.

### APPLICATION RANGE：

They are widely used in the fields of petroleum, chemical, natural gas, power supply construction, boiler and nuclear power, such as the project of west gas transporting to east china.

### DRIVING TYPE：

Electric-ISE. Pneumatic-ISP





## 内胀式电动管子坡口机

### Internal expansion type electric pipe beveling machine

#### 电动产品主要性能：

本机采用交流220V高性能电机为驱动，电机频率为50HZ，电流6A，电机功率1.2-2KW。本机具有安装容易，快捷、胀紧机构插入管内径能自动定位，机器重量轻，携带方便等特点。

Power Supply: 220-240V 1PH 50-60HZ  
Motor Power: 1.2-2KW



ISE-30



ISE-80

# Wellnit Mechanical

Concentrate On Manufacturing  
Beveling Machinery

ISE-159



ISE-252-1



ISE-352-1



ISM-159







## 内胀式气动管子坡口机

### Internal expansion type Pneumatic pipe beveling machine

#### 气动产品主要性能：

本系列机型采用气马达驱动，主要适用于易爆，  
防火等场所，有0.8-1.0MPa气源即可工作。  
耗气量1000-2000L/Min

Power Supply: 0.8-1.0 MPa, 1000-2000L/min  
Explosion Proof  
Stable Performance  
Simple structure makes easy to maintenance  
Occasionally overload won't burn



ISP-159



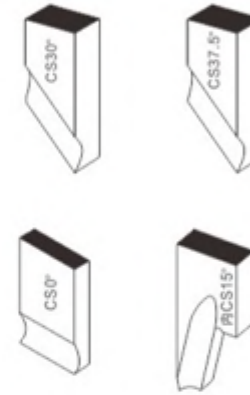
ISP-426-1

## 数据参数

### Data Parameter

#### 坡口刀具

##### Beveling Tool Bits



ISE-630-1

#### ● 技术参数

##### Specification

型号 Model	规格 Spec.	加工范围Capacity(ID mm)		切割坡口壁厚 Wall thickness	刀盘转速 Rotation Speed
		内径(ID mm)			
电动 ISE	30	Φ18-28		≤15	50r/min
	80	Φ28-76		≤15	55r/min
	120	Φ40-120		≤15	30r/min
气动 ISP	159	Φ65-159		≤20	35r/min
	252-1	Φ80-240		≤20	16r/min
麦太保 ISM	352-1	Φ150-330		≤20	14r/min
	426-1	Φ250-426		≤20	12r/min
	630-1	Φ300-600		≤20	10r/min
	850-1	Φ600-820		≤20	9r/min





Internal expansion type  
pipe beveling machine



## 内胀式管子坡口机 Internal expansion type pipe beveling machine

### 产品主要性能：

本系列为内胀安装式坡口机具有安装简单容易，重量轻，携带方便等特点。胀紧机筒插入管道内径能自动定位对中心。本机除对碳钢、不锈钢、合金钢等材料管子的U、V型焊缝的坡口、倒棱、削边等加工外，并能对焊后的凸面法兰进行加工。坡口质量好，速度快，操作简单，切削量可选可调，坡口角度由0°-45°任意选择。

### Main Performance:

This series is ID-Mounted pipe beveling machine, with the advantage: Easy operation, light weight. A draw nut is tightened, which expands the mandrel blocks up a ramp and against the ID surface for positive mounting, self centered and squared to the bore. It's can work with various material pipe, beveling angle as per your required.



ISE-352-2



ISE-252-2



ISE-252-2



数据参数  
Data Parameter

● 技术参数  
Specification

型号 Model	规格 Spec.	加工范围Capacity(ID mm)		切割坡口壁厚 Wall thickness	刀盘转速 Rotation Speed
		内径(ID mm)			
电动 ISE	252-2	Φ80-240		≤75	16r/min
	352-2	Φ150-330		≤75	14r/min
气动 ISP	426-2	Φ250-426		≤75	12r/min
	630-2	Φ300-600		≤75	10r/min
麦太保 ISM	850-2	Φ600-820		≤75	9r/min

坡口类型  
Typical Welding Seam



加工图

完成图



Self-centering pipe cutting  
and beveling machine

产品性能特征：

- 采用高强度高精度圆体结构，适用于各类管材的切断和坡口加工，尤其是对大批量薄壁管的切断、坡口加工。
- 使用进口顶级品质的电机作为动力，噪音小、寿命长、重量轻、性能可靠，大范围调速，具有CE认证。
- 其调速方式有2种：档位调速和电子无极调速，额定电压220V,频率50Hz。
- Adopt high strength & precision ring structure, apply for cutting and beveling pipe, especially for batch working of cutting, beveling for thin wall thickness pipe.
- Adopt METABO motor: low noise, long life, stable performance and perfect speed adjustable function, with CE certificate.
- Power supply: 220-240V 1PH 50/60HZ





## 凸轮式自定心坡口机 Cam-Type self-centering cutting and beveling machine



### 产品性能特征：

- 自动定位管子中心，同心度和垂直度都无需人工调整；
- 结构紧凑美观，高强度铝质机身，小巧精致；
- 采用新型同步进刀机构，进给均匀，刀具的寿命更长；
- 安装方便快速，操作简单，维护方便；
- 切割和坡口一次性完成，加工效率很高；
- 完全冷加工，无火花，不会影响材质；
- 加工精度高，表面质量好，无毛刺；
- 适应性强，可根据需要对机器进行调速。

### Cam-Type (High-Efficiency) self-centering cutting and beveling machine

- Self-Centering, no need adjust work of concentricity & perpendicularity.
- Compact structure and good appearance, high strength aluminum body
- Adopt new synchronous feeding mechanism, feeding uniformity, tool bits has longer working life.
- Easy set-up, operation and maintain.
- Cutting & beveling finished at same time, high working effective.
- Cold working, no spark, won't make the material affected.
- Perfect working precision, no burrs.
- Well-adapted, you can make the speed adjust depend on the working conditions.

型号 Model	规格 Spec.	加工范围 Working Range	管材壁厚 Thickness	刀盘转速 Speed	整机重量 Weight
SCB	63	Φ14~63mm	≤12mm	30~120r/min	13kg
SCB	114	Φ63~114mm	≤12mm	30~120r/min	16kg

## 行星式切管机 Orbital pipe cutting machine



### 这种行星式切管机具有以下优点：

- 1、该行星式切管机，来自国际顶尖技术，填补了国内的空白，并远销北美，欧洲，东南亚等数十国。
- 2、该行星式切管机在国内同类机械（含进口品牌）市场占有率第一。
- 3、切割速度可根据切割的管子材质不同而进行调节，如低速用于不锈钢管。
- 4、该行星式切管机刀片只在一点最佳位置切入由内向外切割。
- 5、行星式切管机快速更换刀片，刀片可通用于进口同类切管机。
- 6、是不锈钢管切割后直接焊接的最佳选择。
- 7、切管子时对切割管材进行多点夹紧。
- 8、切管的管材管径调节快速，可在几秒钟完成。

### 操作程序：

切管由手动旋转机器360度以切割管子，以一千六百瓦特电机驱动的圆齿刀片切割。管道在360度旋转一周后被切断。该强大稳固的电动机配有6速可供选择。



H-120

### 技术参数 Specification

型号 Model	H120	H182	H230	H325
Pipe OD (外径)	1.5"-4.5" 20-120mm	3"-6" 85-182mm	6"-9" 150-230mm	8.5"-12.5" 215-325
Wall Thickness (厚度)	0.04"-0.22" 1-7mm	0.08"-0.4" 2-10mm	0.08"-0.4" 2-10mm	0.08"-0.4" 2-10mm
Motor (功率) Blade RPM (转速)	1600w 150-250	1600w 150-250	1600w 150-250	1600w 150-250
V/Hz (电压 / 频率)	110/220v 50/60Hz	110/220v 50/60Hz	110/220v 50/60Hz	110/220v 50/60Hz
Net Weight (净重)	75kg 165lb	90kg 198lb	110kg 242lb	130kg 286lb
Application (应用范围)	Thin-wall stainless-steel tubes Stainless steel pipes Low and unalloyed steel Casting materials, non-ferrous metal Copper, aluminum and diastolic pipes 主要是锈钢管、碳钢管、铜管、铝钢等合金钢管。			



## 外夹式全 自动坡口机

Wellnit  
Mechanical

## 外夹式全自动坡口机

### OD-Mounted Auto-feed Pipe Beveling Machine



ISO-63C

#### 产品主要性能：

外夹式全自动坡口机采用德国Metabo原装进口电机，品质优越，适用于发电、管道安装、化工、造船等行业常用承压管道型号设定，主要用于管型设备的前期坡口制作及无工作空间限制的管道维修现场工作。

#### 特点：

- (1) 精巧的无极档位定心装置，简单的操作就可方便应对多种型号管道加工；
- (2) 采用与专用型机具类似的传动结构和电机，整体性能可靠；
- (3) 自动进退刀结构设计，操作灵活简单。

#### Main Performance

This series machine adopts METABO motor, main applied in the field of power plant pipeline installation, chemical industry, shipbuilding, especially pipeline prefabrication and low clearance on site working, such as maintain thermal power auxiliary equipment, boiler pipe valve.

#### Feature:

- (1) Ingenious centering device, easy for process various of pipe size
- (2) Compact design, good rigidity
- (3) Tool feed/back automatically

型号	加工范围	坡口壁厚	夹紧方式	附件垫块	适用现场
ISO-63C	Φ28-63	≤12mm	双向夹紧	28.32.38.42.45.51.54.57.60.63	冶金、造船、石化等行业的管件前期坡口制作及现场维修，火电辅机部分，汽机锅炉管阀部分的现场维修，可加工碳钢、不锈钢、合金钢等管材。
ISO-76C	Φ42-76			42.45.51.54.57.60.63.68.76	
ISO-89C	Φ63-89			63.68.76.83.89	
ISO-114C	Φ76-114			76.83.89.95.102.108.114	





## 自爬式液压切管机

### Chain-Type hydraulic pipe cutting machine

#### 产品主要性能：

本机采用汽油液压工作站无需使用任何电源驱动，适用于野外抢修、防爆场所等工作场所能加工切割200-3000mm管径

#### ● 技术参数 Specification

产品型号	Model	ZYQ200-1200
切割管材范围	Cutting pipe scope	DN200-3000mm
切割速度	Cutting speed	90mm/min
最大切割深度	Maximum percent depth	32mm
铣刀转速	Milling speed	125r/min
工作压力	Working pressure	10MPa
整机质量	Weight	37kg



## Plate beveling machine





● 小型台式铣边机PB-10D  
● Stationary plate beveling machine PB-10D



产品主要性能

PB-10D小型台式钢板铣边机。采用冷加工的铣削坡口方式，加工出的坡口面光洁度高达Ra3.2-6.3。机器配有进口高品质铣刀片，特别适合加工不锈钢等高硬度材料。包括对坡口光洁度有较高要求的坡口加工。

PB-10D small table plate milling machine. The finish of the groove is as high as Ra3.2-6.3, and the machine is suitable for high hardness materials such as stainless steel and other materials. It includes groove processing for high degree of smoothness of beveling machine.

PB-10D型产品技术参数

电源 Power	AC 380V 50Hz	坡口角度 Bevel Angle	30°-60° (任意调节) (adjustable)
总功率 Total	2000W	夹持钢板厚度 Clamp Thickness	2-40mm
主轴转速 Spindle Speed	1440r/min	夹持板宽 Clamp width	>20mm
进给速度 Feed Speed	0-1500r/min (调节adjustable)	整机净重 Net Weight	80kg
坡口宽度 Bevel Width	1-18mm	可加工材质 Processing materials	碳钢、不锈钢、铝合金、铜、复合板 Carbon Steel, Stainless Steel, Aluminum alloy, Composite Plate
单次坡口宽度 Single Bevel Width	1-10mm		

● 自动行进式铣边机PB-80  
● Automatic plate beveling machine PB-80



产品主要性能

PB-80铣边机具有体积小、重量轻、方便移动、操作简单等特点，适合小型工厂使用。加工速度和铣床相比并不逊色，此外该型号的铣边机配备了常用的数控刀片，让客户使用成本更加低廉。

The PB-80 edge milling machine convenient movement and simple operation. The finish of the groove is as high as Ra3.2-6.3. It is suitable for small factories. The milling machine is equipped with commonly used CNC blades to make the customers use the cost more cheaply.

PB-80型产品技术参数

电源 Power	AC 380V 50Hz	夹持钢板厚度 Clamp Thickness	6-60mm
总功率 Total	4800W	夹持板宽 Clamp width	>100mm
主轴转速 Spindle Speed	750-1440r/min (调节 adjustable)	加工钢板长度 Process Length	>300mm
进给速度 Feed Speed	0-1500r/min (调节 adjustable)	工作台高度 Worktable Height	820-860mm
坡口宽度 Bevel Width	1-60mm	整机净重 Net Weight	270kg
单次坡口宽度 Single Bevel Width	1-20mm	可加工材质 Processing materials	碳钢、不锈钢、铝合金、铜、复合板 Carbon Steel, Stainless Steel, Aluminum alloy, Composite Plate
坡口角度 Bevel Angle	0°-60° (任意调节) (adjustable)		

● 自动行进式铣边机PB-60  
● Automatic plate beveling machine PB-60



产品主要性能

PB-60铣边机具有体积小、重量轻、方便移动、操作简单等特点，适合小型工厂使用。加工速度和铣床相比并不逊色，此外该型号的铣边机配备了常用的数控刀片，让客户使用成本更加低廉。

The PB-60 edge milling machine convenient movement and simple operation. The finish of the groove is as high as Ra3.2-6.3. It is suitable for small factories. The milling machine is equipped with commonly used CNC blades to make the customers use the cost more cheaply.

PB-60型产品技术参数

电源电压 Power	AC 380V 50Hz	夹持板厚 Clamp Thickness	6-40mm
总功率 Total	3400W	夹持板宽 Clamp Width	>100mm
主轴转速 Spindle Speed	1050r/min	夹持板长 Clamp Length	>300mm
进给速度 Feed Speed	0-1500r/min (调节adjustable)	工作台高度 Worktable Height	820-860mm
坡口宽度 Bevel Width	1-45mm	整机净重 Net Weight	250kg
单次坡口宽度 Single Bevel Width	1-15mm	可加工材质 Processing materials	碳钢、不锈钢、铝合金、铜、复合板 Carbon Steel, Stainless Steel, Aluminum alloy, Composite Plate
坡口角度 Bevel Angle	10°-60° (任意调节) (adjustable)		

● 自动翻转式铣边机PB-60R  
● Automatic plate beveling machine PB-60R



产品技术参数

电源电压 Power	AC 380V 50Hz	夹持板厚 Clamp Thickness	6-60mm
总功率 Total	3400W	夹持板宽 Clamp Width	>100mm
主轴转速 Spindle Speed	1050r/min	夹持板长 Clamp Length	>300mm
进给速度 Feed Speed	0-1500r/min (调节adjustable)	工作台高度 Worktable Height	700-760mm
坡口宽度 Bevel Width	0-55mm	净重 Net Weight	225kg
单次坡口宽度 Single Bevel Width	10-15mm	毛重 Gross Weight	275kg
坡口角度 Bevel Angle	10°-60° (-10°-60°)	可加工材质 Processing materials	碳钢、不锈钢、铝合金、铜、复合板 Carbon Steel, Stainless Steel, Aluminum alloy, Composite Plate



- 自动行进式铣边机PB-60L
- Automatic plate beveling machine PB-60L



#### 产品主要性能

PB-60L铣边机具有体积小、重量轻、方便移动、操作简单等特点，适合小型工厂使用。加工速度和铣床相比并不逊色，此外该型号的铣边机配备了常用的数控刀片，让客户使用成本更加低廉。

The PB-60L edge milling machine convenient movement and simple operation. The finish of the groove is as high as Ra3.2-6.3. It is suitable for small factories. The milling machine is equipped with commonly used CNC blades to make the customers use the cost more cheaply.

#### 产品技术参数

电源电压 Power	AC 380V 50HZ	夹持板厚 Clamp Thickness	6-60mm
总功率 Total	3400W	夹持板宽 Clamp Width	> 80mm
主轴转速 Spindle Speed	1050r/min	夹持板长 Clamp Length	> 300mm
进给速度 Feed Speed	0-1500r/min (调节adjustable)	工作台高度 Worktable Height	820-860mm
坡口宽度 Bevel Width	1-55mm	净重 Net Weight	220kg
单次坡口宽度 Single Bevel Width	1-20mm	可加工材质 Processing materials	碳钢、不锈钢、 铝合金、铜、复合板 Carbon Steel, Stainless Steel, Aluminum alloy Composite Plate
坡口角度 Bevel Angle	0°-90°(可调节) adjustable		

- 多功能坡口机PB-10
- Multifunctional groove machine PB-10



#### 产品主要性能

PB-10多功能坡口机是一款手动操作的电动工具，该机适用于加工焊接前的坡口（可加工成K、V、X、Y型坡口），可以对板材进行坡口加工及金属材料的去毛边等。它的多功能性与灵活性，能够大量的提高工作效率而使之成为具有吸引力的设备，该机器结构非常紧凑，能够在环境复杂且难于加工的地方操作。

PB-10 multifunctional groove machine is a manual operation of electric tools, this machine is suitable for processing before welding groove (can be processed into K, V, X, Y type groove), can be carried out on the plate groove processing and metal materials burring, etc. Its versatility and flexibility and can be a lot of improve the efficiency of work and make it become the attractive device, the machine structure is compact, to where the environment is complex and difficult to machining operations.

#### 技术参数

电压 Voltage	220-240V	坡面宽 Beveling Width	1-15mm (Q235)
功率 Power	2000W	安全 security	软启动 Soft start
转速 Speed	2500-7500 r/min	刀片数量 Tool Bit Qty	4
坡口角度 Bevel Angle	30° 37.5° 45°(标配30°) (standard 30°)	重量 Weight	7Kg

- 气动倒角机PB-R3
- Pneumatic chamfering machine PB-R3



#### 产品简介

产品特点及适用范围 PB-R3倒角机是本公司吸收国外产品技术研发的大功率产品。本机发动机功率大，运转平稳；采用硬质合金刀片，有8个可用工作面，使用安全，尺寸稳定，刀片寿命长，切削效率高，非常适合在造船、框架、桥梁等领域的金属板材的边、孔、棱角部R倒角、C面倒角的适用。

PB-R3 chamfering machine has large engine power and stable operation. USES carbide blade, there are eight working face are available, and the use of safe, stable size, blades, long life, high cutting efficiency, very suitable for shipbuilding, framework, a bridge in areas such as the edge of the sheet metal, holes, chamfer edges of R, C for chamfering.

#### 技术参数

外形尺寸 Dimension	底盘 150, 高度160 Underpan 150, Height 160
刀片数 Tool Bits Qty	3pcs
最小加工半径 Minimum Working radius	R16
倒角尺寸 Milling Angle	R 1-3
材料厚度 Plate Thickness	≥9mm
机重 Weight	3.9kg
切削速度 Milling speed	3m/min
气管内径 Air Hose I.D	≥ 10
使用气压 Air pressure	0.4-0.63MPa

- 平板坡口机PBM-15
- Plate beveling machine PBM-15



#### 产品简介

PBM-15坡口机专为板材坡口、倒角而设计，是一台手工推进式坡口加工工具。适用于各种焊接前对金属板材进行倒角、坡口加工。其重量轻（和同类产品相比较而言），震动小，操作简便，使用安全可靠。

PBM-15 groove machine is specially designed for plate groove and chamfer, and it is a hand-propelled groove processing tool. It is suitable for chamfering metal plate and groove processing before welding. Light weight (compared with similar products), small vibration, easy to operate, safe and reliable.

#### 产品技术参数

最大刀刃切削宽度 Maximum milling width	1-15mm (可调) (adjustable)
倒角角度 Milling Angle	30°-60° (可调) (adjustable)
重量 Weight	18KG
电压 Voltage	380V(220V)
频率 Frequency	50Hz
功率 Power	1.1KW
转速 Speed	2870r/min





## 台式管切坡口机

### Table Model pipe cutting and beveling machine

- 自动进料、切割、斜切同时进行。
- 适用于管道、外装。
- 可选择的操作台和管道运输机可以组合成一个物流系统。
- Auto feed, cutting and beveling at the same time.
- Suitable for pipeline, Out-Mounted.
- Selectable operational table and pipe carrier can be used to piece together into a logistics system.



TCQ

## 轨道冷管切割机

### Orbital Cold Pipe Cutting Machines

- 用几秒钟的时间完成一次旋转，在管道周围旋转一圈。
- 设计紧凑，占地面积小。
- 适用于碳素钢、不锈钢、合金钢、有色金属、工程塑料、铸钢等。
- 安全高效。
- 不会影响管材。
- use a few seconds to finish the cut with one single rotation around the pipe.
- Compact design, small space.
- Used for Carbon Steel, Stainless Steel, Alloy Steel, Non-ferrous, Engineering plastic and Cast steel.
- Metabo drive, safe and efficient.
- Will not influence the pipe material.



OCQ

## 法兰端面加工机 Flange Facing Machine



WFS-610



WFP-610

### 产品主要性能：

法兰端面加工机针对法兰面，水纹线，密封槽加工而设计研发，采用最新的直线和滚珠螺杆技术，机器采用内卡装夹的方式，固定在管道或法兰的中间，用于加工法兰的内孔、外圆及多种形式的密封面（RF、RTJ等）。

### 特点：

- (1) 模块化设计，操作方便，易于安装、拆卸。
- (2) 预载制动系统可以使得间歇切割平稳。
- (3) 水平、垂直、倒置安装均可，稳定性好。
- (4) 三种动力系统供选用：伺服电机、气动马达、液压马达

### Main Performance

Flange Facer Machine are Multi-Function series machine. The Product make up with three parts, have four clamp support, Internal mounted, small working radius. The novel tool holder design can be rotated 360 degrees, high efficiency. Suitable for all types of flange facing, seal groove machining, weld prep and counter boring. It special for pipe, valve, pump flanges etc.

### Feature:

1. Compact structure, Light weight, easy to carry out.
2. Have scale of feed handwheel, improve feed accuracy
3. Automatic feeding in the axial direction and the radial direction, high efficiency
4. Horizontal, vertical, inverted, tilt etc, any direction both can processed.
5. Can process flat face, water line, Continuous groove, RTJ groove etc
6. Driven: Pneumatic, Hydraulic, CNC

型号 Model	规格 Spec.	法兰面加工范围 Facing Range (O.D)	机器安装范围 Mounting Range (I.D)	刀具行程 Tool Feed Stroke	刀盘旋转角度 Tool holder Swivel Angle	刀盘转速 Rotation Speed
气动 WFP	610	50-610mm	50-508mm	50mm	+30°	0-42r/min
1000	153-1000mm	145-813mm	102mm	+30°	0-33r/min	
液压 WFH	1650	500-1650mm	500-1500mm	102mm	+30°	0-22r/min
2000	762-2000mm	604-1830mm	102mm	+360°	0-20r/min	
数控 WFS	3000	1150-3000mm	1120-2800mm	102mm	+360°	3-12r/min

● 注：非标产品可根据客户要求设计制造  
Note: Non-Standard machines are available according to customer's requirement.



# 便携式镗孔机

## Portable Multi-Function Line Boring Machine

Wellnit  
Mechanical



### 产品主要性能：

该系列镗孔机配备旋转结构设计和自动送料装置，轻松实现前进和后退交换，进给速度可自由调节，可进行高精度和高效加工。强大的加工能力可轻松面对工程机械的轴销孔、铰接孔、汽轮机对轮连接孔、泵、阀、管道内孔的加工与修复，增加不同附件，完成端面加工、内外圆堆焊，与内孔自动补焊机完美对接后还可实现镗焊于一体。

### 特点：

- (1) 结构紧凑，重量轻，易于携带。
- (2) 工作半径小，可满足狭小空间，高空复杂的加工需求。
- (3) 采用高强度合金钢制造，强度高。
- (4) 可选择不同的连接头，实现管面加工，法兰面加工，内孔焊等。

型号 Model	规格 Spec.	镗孔直径 Boring Diameter	主轴转速 Rotation Speed	镗杆长度
电动LBE	50	55-400 mm	0-118 r/min	2500/3000/3500/4000/4500mm(可定制)
	60	65-600 mm	0-118 r/min	
液压LBH	90	100-800 mm	0-78 r/min	
数控LBS	110	180-900 mm	0-62 r/min	
	150	220-1000 mm	0-55 r/min	
	200	380-1200 mm	0-38 r/min	
	300	460-1600 mm	0-28 r/min	

●注：非标产品可根据客户要求设计制造

Note : Non-Standard machines are available according to customer's requirement.

### Main Performance

The Line Boring is a high-efficiency series of machine tools. It is special equipment for processing deep holes in cylinders and hydraulic cylinders. This machine is equipped with a rotating structure design and automatic feeding device with high precision. The machine is widely used in the processing and repair of excavators, loaders, crawler cranes and large marine cranes.

### Feature:

- 1.Alloy Steel Body, Compact structure, Light weight, easy to carry out.
- 2.Small working radius, it can be adapted to variety of the narrow space, high-altitude complex processing needs.
- 3.Boring bar is made of high-intensity alloy steel, high strength
- 4.Can selected different connect head, can achieve different processing. For example, pipe face processing, flanges face processing, bore weld etc.

# SHTW 方驱液压扭矩扳手

## SQUARE HYDRAULIC TORQUE WRENCH

### 产品特性：

- 1.最大工作压力700 bar。
- 2.材质为铝钛合金，强度高，重量轻，携带方便。
- 3.反作用臂可调节360°方向，适用于任何位置。
- 4.按钮设计可以使更换驱动更方便。
- 5.液压活塞和动力头体积小，结构紧凑，半径小。
- 6.恒定的扭矩输出，在整个工作过程中提供高精度。
- 7.扭力精度：+-3%，重复精度100%

- 1.700 bar maximum working pressure.
- 2.The material is aluminum titanium alloy, high strength, light weight, easy to carry.
- 3.Reaction arm can adjust 360° direction, suitable for any position.
- 4.Push button design can make change drive more convenient.
- 5.Hydraulic piston and power head are small, compact structure, small radius.
- 6.Constant torque output provide high precision in whole working operation.
- 7.Torque accuracy: +- 3%, repeatability 100%



钢制护套  
steel boot

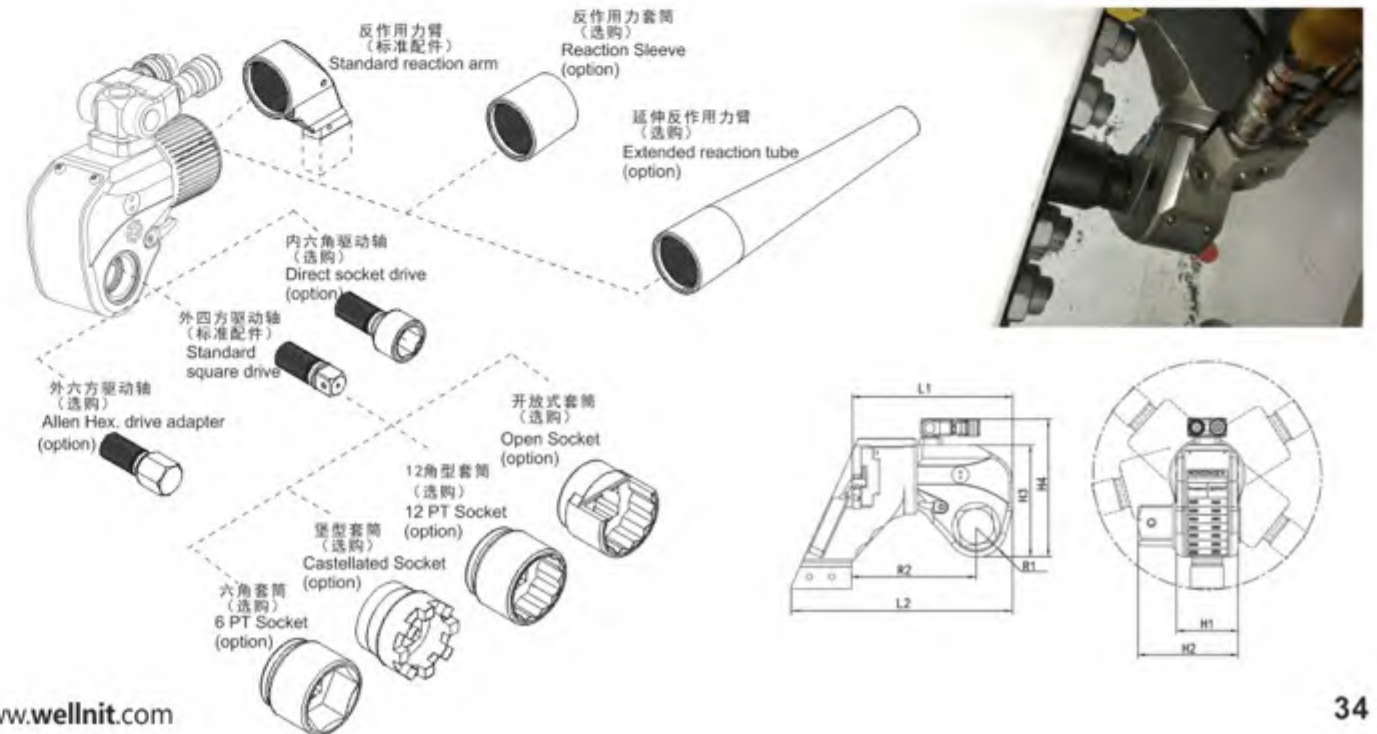
按钮式快速替换方形驱动轴  
Button change square driver



溢油孔  
Warning drop hole

预防接头连接不正确或超压使用时，以流出液压油为警告作用。  
Warning wrong couple connect or over pressure which leaking oil.

型号 Model	SHTW-1	SHTW-3	SHTW-5	SHTW-8	SHTW-10	SHTW-15	SHTW-20	SHTW-25	SHTW-35
扭矩范围 N.m Torque	183-1837	451-4512	752-7528	1078-10780	1551-15516	2063-20627	2666-26664	3472-34725	4866-48666
螺栓规格 M Bolt size	16-36	22-48	27-56	30-64	36-72	39-80	42-90	48-100	64-120
重量 Kg Weight	2	4	7	9.1	13.1	21	25	31	45
驱动轴 Square drive	3/4"	1"	1-1/2"	1-1/2"	1-1/2"	2-1/2"	2-1/2"	2-1/2"	2-1/2"





# ZHTW 中空液压扭矩扳手

## HOLLOW HYDRAULIC TORQUE WRENCH

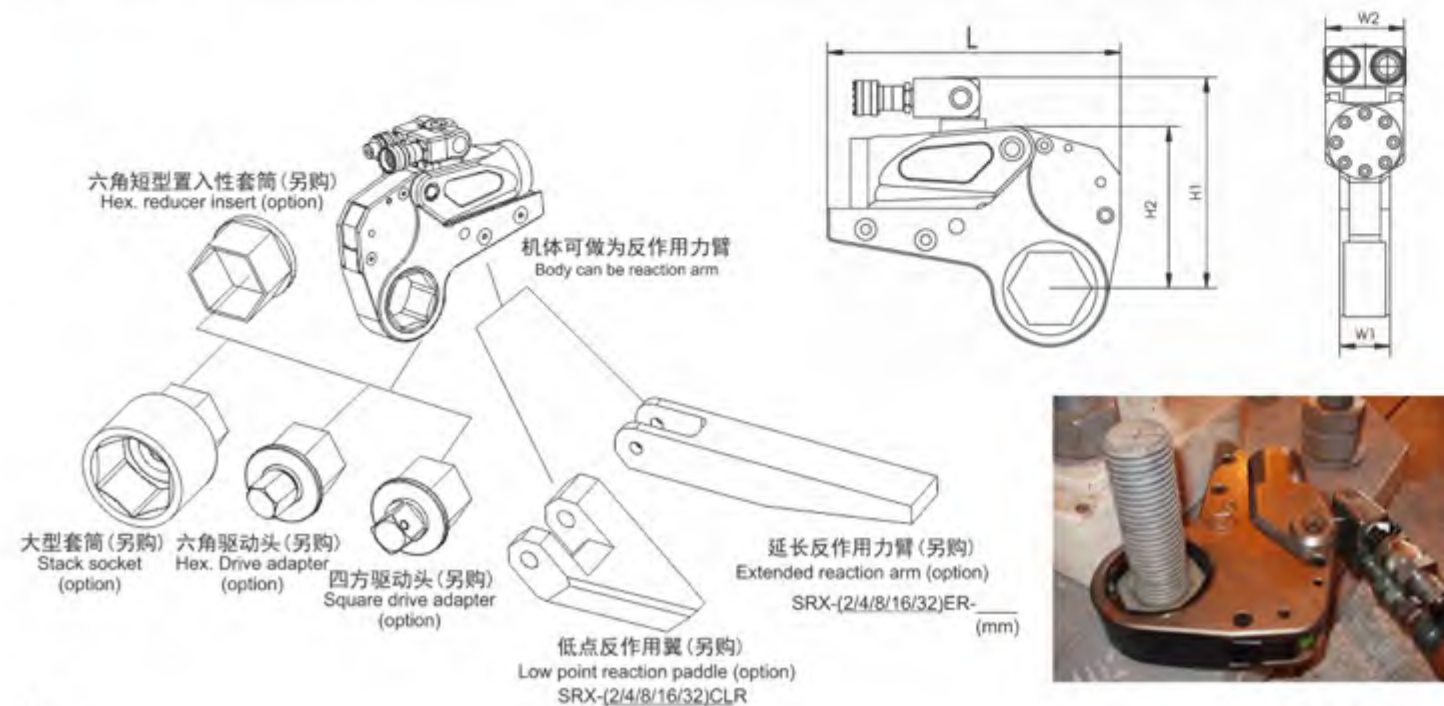
### 产品特性：

- 1.最大工作压力700 bar。
- 2.材质为铝钛合金，强度高，重量轻，携带方便。
- 3.紧凑的设计适合狭小空间。
- 4.反作用臂可调节360°方向，适用于任何位置。
- 5.360°多位置旋转快速接头。
- 6.恒定的扭矩输出，在整个工作过程中提供高精度。
- 7.表面处理特殊表面处理，使扳手不易生锈
- 8.扭力精度：+ -3%，重复精度100%

- 1.700 bar maximum working pressure.
- 2.The material is aluminum titanium alloy , high strength , light weight
- 3.The compact design is made to fit in small spaces.
- 4.Reaction arm can adjust 360°direction , suitable for any position.
- 5.360° multi-positional swivel quick release couplings.
- 6.Constant torque output provide high precision in whole working operation.
- 7.The finish special surface treatment make wrench not easy to rust
- 8.Torque accuracy: + - 3%, repeatability 100%



型号 Model	ZHTW-2		ZHTW-4		ZHTW-8		ZHTW-14		ZHTW-30	
扭矩范围 N.m Torque	232-2328	241-2414	585-5858	647-6474	1094-10941	1177-11774	1852-18521	4188-41882	4459-44593	
螺母对边 mm Hex Size	19-55	60	34-65	70-80	41-95	100-105	50-117	110-155	160-175	
动力头重量 Kg Cylinder	1	1	2	2	3.3	3.3	5.5	11.4	11.4	
工作头重量 Kg Link	1.6	1.7	4.4	4.6	8	8.4	11.6	29	30	



# HYB-E 液压扭矩扳手专用电动泵

## HYDRAULIC TORQUE WRENCH PUMP- ELECTRIC

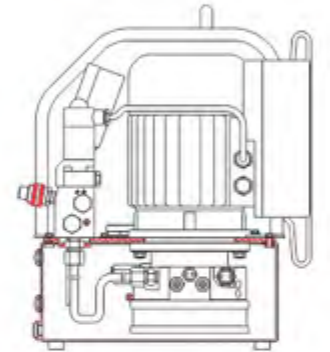
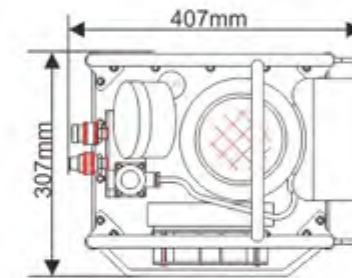
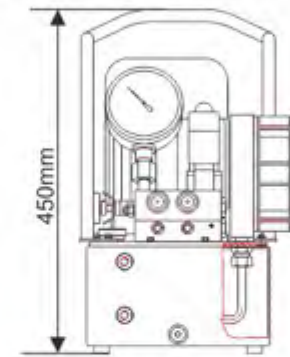
- 1.紧凑设计，三级流量。
- 2.适用于二台扳手同步进行（可选配四台同步工作泵）。
- 3.铁管式把手保护架。
- 4.精密压力表。
- 5.压力在40-700bar平滑调整。
- 6.配置用于24小时连续工作。
- 7.最热温度为70度。
- 8.气冷式油温冷却系统。



\*可匹配四同步泵

### Hydraulic Electric / Torque Wrench Pump

- ※ Compact ,automatic three stage flow.
- ※ Applicable on two wrenches simultaneously. (torque wrench can match with another 4 hydraulic torque wrench work at the same time)
- ※ Tubular steel lifting/protective hoops.
- ※ High precision pressure gauge.
- ※ Infinitely variable pressure adjustment between 40-700bar.
- ※ Configured for continuous operations.
- ※ Max operation heat 70.
- ※ Heat Exchanger Kit : Design air cooling to avoid pump overheating and costly repair from long work periods.



# HYB-P 液压扭矩扳手专用气动泵

## HYDRAULIC TORQUE WRENCH PUMP- PNEUMATIC

- 1.紧凑设计，三级流量。
- 2.适用于二台扳手同步进行（可选配四台同步工作泵）。
- 3.铁管式把手保护架。
- 4.精密压力表。
- 5.压力在40-700bar平滑调整。
- 6.配置用于24小时连续工作。
- 7.输入气源4-8bar。



\*可匹配四同步泵

### Hydraulic Electric / Torque Wrench Pump

- ※ Compact ,automatic three stage flow.
- ※ Applicable on two wrenches simultaneously. (torque wrench can match with another 4 hydraulic torque wrench work at the same time)
- ※ Tubular steel lifting/protective hoops.
- ※ High precision pressure gauge.
- ※ Infinitely variable pressure adjustment between 40-700bar.
- ※ Configured for continuous operations.
- ※ Air press: 4-8bar.

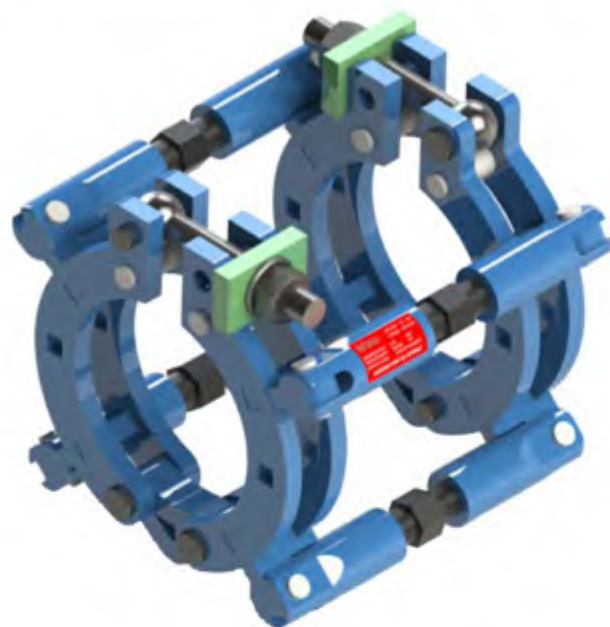
型号 Model	转速 Rpm (r/min)	马达 Motor kw(hp)	输入 Voltage /Air	输出压力 Pressure (bar)			流量 Flow rate (L/min)			油箱容量 Oil tank (L)	可用油量 Usable oil (L)	重量 Weight (kg)	动力源 Power
				L	M	H	L	M	H				
HYB-E	2800	1.1	220/50 (V/Hz)	100	250	700	7	1.6	0.8	8	7	29	电源 Source
HYB-P	2800	1.1	4-8 bar	100	250	700	7	1.6	0.8	8	7	20.5	气源 Air





# 3D精确可调轴向焊接无收缩外对口器

## HIGH PRECISION PIPELINE EXTERNAL COUNTERPART PLIERS



### 产品主要性能：

管道外对口器主要采用机械结构设计，操作使用方便，精度高，使焊接质量和施工效率均有一定程度的提高，具有较高的综合经济效益。是管道施工中特殊工况下管道对口作业必不可少的设备，在管线连接、管道组对、站场管件安装施工中广泛使用。

### 特点：

- 单一口径设计制造，无需调整，对口效率高，标准系列产品从2"(50mm)~60"(1524mm)。
- 无需外部动力源，成本低，操作便捷。
- 采用架空设计，为焊接留出足够空间，可无妨碍100%拆除前完成根焊。
- 对口精度高，根据管径不同，错边量可调节控制在0.5mm~2mm范围内。
- 超强钢材及结构设计，经久耐用不变形。
- 自锁丝杆设计，可提供极大夹紧力，易于操作。
- 重量轻，对口器可分拆装架设操作，方便人工搬运，减轻了工人劳动强度。
- 可适应2"~60"不同材质(碳钢、不锈钢、复合管等)管道对口作业使用。

### Main Performance

Pipeline external counterpart Pliers is an essential equipment for pipeline welding or install operation. High precision counterparts Pliers can improve welding quality and construction efficiency. It is widely used in pipeline connection, pipeline group pairing, pipe fitting installation, pipeline construction etc.

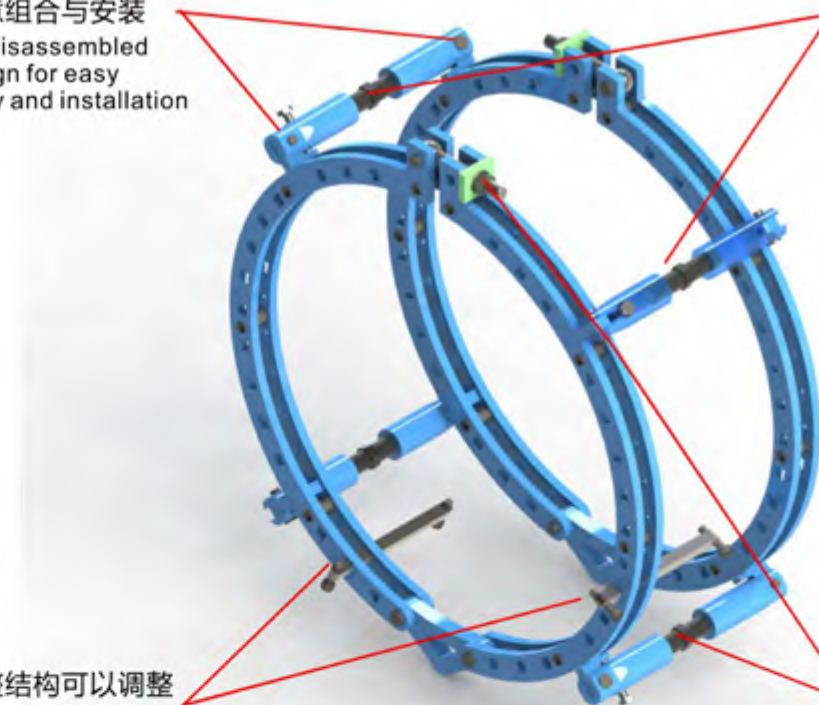
### Feature:

1. The material is strong steel, high strength, durable
2. No external power source, low cost and easy operation
3. Overhead design to leave enough space for welding
4. Clearance can adjusted, high precision
5. Self-locking screw design, strong clamping force
6. Can be applied to pipe joints of different materials (carbon steel, stainless steel, composite pipe, etc.)

### 施工案例 Engineering Case:



可快速拆装式铰接设计，方便任意组合与安装  
Quickly disassembled bolt design for easy assembly and installation



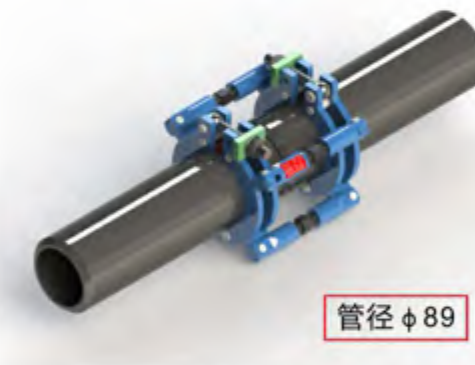
局部调整结构可以调整局部错边，轻便可靠  
Overhead design convenient for weld, Weld gap adjustment to improve welding quality

大间隙架空设计和焊口间隙调节，可无妨碍完成全部根焊，并获得优良的根部焊接质量  
Overhead design convenient for weld, Weld gap adjustment to improve welding quality

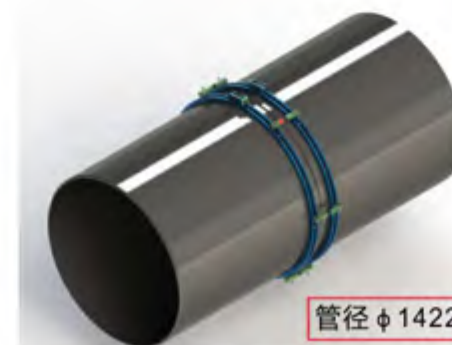
特殊的材料和工艺加工的调节丝杠，能满足现场几千上万次对口操作需求  
Overhead design convenient for weld, Weld gap adjustment to improve welding quality



管径  $\phi$  60.6



管径  $\phi$  89



管径  $\phi$  1422

One-to-one design, No adjustment, High efficiency. Working Range is 2" - 6" (Different Size can be customized)



## CG2-11 Magnetic automatic Pipe Gas cutting machine Shanghai Huawei Popular Model



### Product Description

1. The main body is made of aluminum alloy, light, and portable.
2. It adopts permanent magnet wheel to crawl on the pipe while cutting.
3. Can be used for parallel, upright and face upward cutting.
4. Especially for pipe cutting, convenient in operation.
5. Beveling range: LY.V 45°
6. Widely applied to oil production, chemical pipe project.

Remark: If the dia > 600mm should use an optional guide band.

Order NO.	Model NO.	L*W*H	Supply Voltage	Min Dia Pipe(mm)	Cutting thickness	Cutting Speed	Weight
HW1211	CG2-11	350*310*180	AC220/50	>Φ108	6-50	5-750	20
HW121	CG2-11-II	450*230*210	AC220/50	>Φ110	6-50	5-750	20.5

## HNC-1500W Heavy Track portable CNC Plasma Cutting Machine hobby cutter



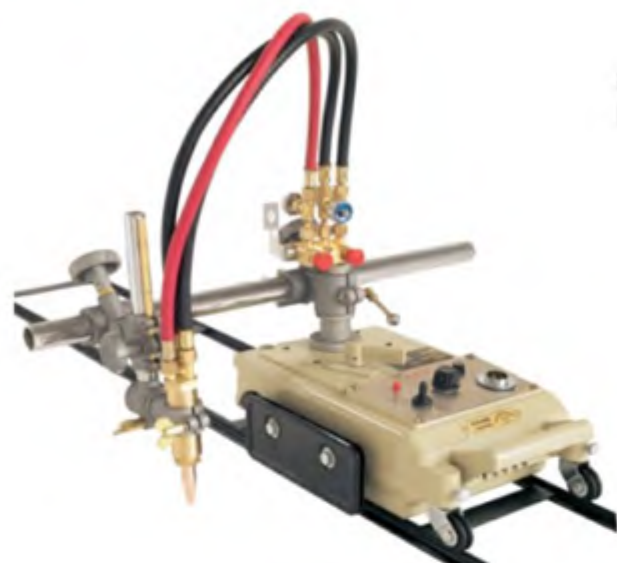
### Product Features

- (1) Tailored track acquires high-intensity, high-speed and high-precision features.
- (2) Human-computer interface design makes the machine easy to learn and operate, and have complete functions.
- (3) Equipped with functions of portable CNC cutting and can cut carbon steel, stainless steel, and non-ferrous metal plate.
- (4) Enable the conversion of the CAD into the program file which can be transmitted to the main machine by USB to cut plate into any shape.
- (5) With two cutting modes: Flame Cutting & Plasma Cutting.
- (6) Chinese, English, French, and Portuguese are ready to use.
- (7) Can automatically memorize and restore when power is off.
- (8) Plasma THC ( torch height control) device function: By automatically adjust the height of the torches according to the feedback of the plate height changes, THC can keep the good effect of cutting meanwhile, protect the torch from damage and prolong the life span of the nozzles.
- (9) With the status indication device.
- (10) With positioning functions of protection cover, proximity switch and dual-speed.
- (11) Compatibility of the domestic plasma and foreign-brand plasma.

Model	Cutting Range MM	Supply Voltage V/Hz	Cutting Torch Number of groups	Cutting speed (mm/min)	MAX no-loading speed (mm/min)	Overall dimensions L*W*H	Weight (kg)
HNC-1500W-2	1500*2000	AC220V-50HZ	1	50-750	3000	2.5*2.2*0.37	108
HNC-1500W-2.5	1500*2500	AC220V-50HZ	1	50-750	3000	3*2.2*0.37	121
HNC-1500W-3	1500*3000	AC220V-50HZ	1	50-750	3000	3.5*2.2*0.37	134
HNC-1500W-3.5	1500*3500	AC220V-50HZ	1	50-750	3000	4*2.2*0.37	147
HNC-1500W-4	1500*4000	AC220V-50HZ	1	50-750	3000	4.5*2.2*0.37	160
HNC-1500W-5	1500*5000	AC220V-50HZ	1	50-750	3000	5.5*2.2*0.37	186
HNC-1500W-6	1500*6000	AC220V-50HZ	1	50-750	3000	6*2.2*0.37	212



## CG1 Serial Portable Semi-automatic Straight line Flame Gas Cutting Machine



### Product Description

1. Mainly use Medium pressure acetylene and high pressure oxygen as fuel, also, it can use propane
2. Multi-functional. It can used to cut carbon steel, low alloy steel, and medium thickness plate, pipe and some special stainless steel or plastic material
3. The roughness of the cutting surface can be 12.5, and normally, after cutting, the surface don't need to do any other cutting process
4. Cutting range: the plate more than 5 mm; diameter of pipe:200mm-2000mm (customized)
5. Methods of Cutting: linear cutting, circular cutting, incline cutting, and V shape cutting
6. Advantages:
  1. Adopting thyristor speed control, the machine walks stably.
  2. The machine is made by high strength aluminum alloy, so it has long life span
  3. The cutting torch can be changed freely by your need
  4. The machine is easy to operate, and has compact structure, and safe use, and short auxiliary time, so it is high effective
  5. Mainly for linear cutting, and it can use 45 degree bevel cutting

### Technical Parameter

Model No.	CG1-30A	CG1-100A	CG1-30B	CG1-100B
Supply Voltage	AC220V/50HZ			
Cutting Thickness	6-100 mm			
Cutting Speed	50-750 mm/min			
Dia.Of.Circle Cutting	200-2000 mm			
Main Body Dimension	470*230*240 mm			
Rail Dimension	1800*200*40 mm			
Weight(main body + rail)/kg	16+12	17.5+12	16+12	18.5+12

## 套丝机 ( 挖槽机 ) PIPE GROOVE MACHINE

### WT-50 PIPE GROOVING MACHINE

#### Product Features

Pipe threading machine is powered by a quiet induction motor, 2-speed gear box.  
Capacity: ½"-2"  
Motor: 750W Induction reversible motor, single phase, 50~60 Hz,220V (230V, 240V available)  
Spindle Speed: 24 RPM for ½"-2"  
Switch: ON/OFF switch.  
Gear Housing: Aluminum  
Body: Casting Aluminum & Iron  
Die head: Quick-open type or Automatic type ½"-2"  
Dies Included: ½"-¾", 1"-2"  
Screw Threads: NPT /BSPT  
Dies Material: Alloy standard, (HSS dies optional)  
Chuck: Speed chuck with replaceable rocker-action jaws.  
Rear Centering Device: Cam-action turns with chuck.  
Oiling System: Through-the-head, with integral oil reservoir. Self-priming, constant-flow  
Support Bar: Heavy-duty  
Chuck: Speed chuck with replaceable rocker-action jaws.



#### Technical parameters:

Model	Size	Power	Voltage	Spindle speed	GW./NW.	Packagage dimension
WT-50	½"-2" M10-M-24	750W	220V,50HZ	23RPM	75KG/62KG	65*41*52cm

### WT-100 PIPE GROOVING MACHINE

#### Product Features

Capacity: ½"-4" (DN 6mm-100mm)  
Motor: 750W Induction reversible motor, single phase, 50~60 Hz, 220V (230V, 240V available)  
Spindle Speed: 24 RPM for ½"-2", 10 RPM for 2 ½"-4" (No load)  
Switch: ON/OFF switch. (Reverse switch and Foot switch are optional)  
Gear Housing: Aluminum  
Body: Casting Aluminum & Iron  
Die head: Quick-open type or Automatic type ½"-2", and Automatic type 2 ½"-4"  
Dies Included: ½"-¾", 1"-2", 2 ½"-3", 2 ½"-4"  
Screw Threads: NPT /BSPT  
Dies Material: Alloy standard, (HSS dies optional)  
Chuck: Speed chuck with replaceable rocker-action jaws.  
Rear Centering Device: Cam-action turns with chuck.  
Oiling System: Through-the-head, with integral oil reservoir. Self-priming, constant-flow  
Support Bar: Heavy-duty  
Chuck: Speed chuck with replaceable rocker-action jaws.



#### Technical parameters:

Model	Size	Power	Voltage	Spindle speed	GW./NW.	Packagage dimension
WT-100	½"-4"	750W	220V/380V, 50HZ	18/6RPM	170KG/150KG	106*72*70cm